



ELTEC ACCESS



The Elevator Specialists

We're passionate about supplying Australians with the most beautiful and functional all-electric elevators. As innovators in this space for more than 10 years, we have exclusive access to the best electric lifts. Our superior, more environmental elevators are known for their reliability and our residential range comes with an impressive 7-year warranty.[^]

Join us as we continue to redefine the elevator industry within Australia.



P R E M I U M

S E R V I C E



Latest Technology

Our industry leading elevators are made with the latest cutting-edge technology.



Safety

Our elevators meet the strictest safety standards.



Environmental

Our range includes fully electric, eco-friendly, and cost-efficient elevators.



Experience

We have 100 years of combined experience in the elevator industry.



Quick Installation

You can rely on our team for a quick and seamless installation process.



Full Service

From design, through to installation and ongoing maintenance; we provide a complete elevator service.

Eltec Access

The versatile Eltec Access series adheres to the highest commercial safety standards. These elevators are designed with wheelchair access in mind and are suitable for a range of commercial applications requiring compliance to the Disability Discrimination Act (DDA).



Wheelchair capacity



NCC + DDA Compliant

Sliding door options

Applications

The Eltec Access series is an exceptional option for low traffic commercial spaces and offers flexible solutions for businesses, builders and architects. We recommend the Eltec Access series for use in the following applications:

- Medical Offices
- Childcare Centres
- Schools
- Commercial Offices

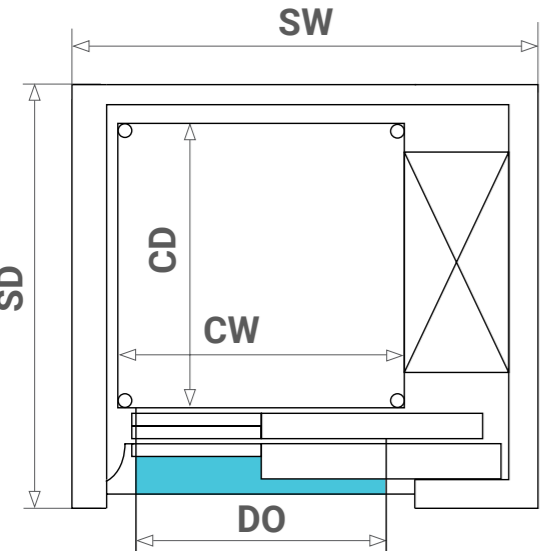
General Specification Information

Regulations	Australian & European
Drive System	VVVF all electric traction system
Country of Origin	Manufactured in Italy
Capacity	400KG (wheelchair capacity)
Maximum Travel*	12m
Number of Stops	8
Maximum Speed	0.3m/s
Pit Depth	180mm
Headroom	2550mm
Motor Room	Not applicable Motor housed within shaft
Power	Dedicated 10A single phase supply



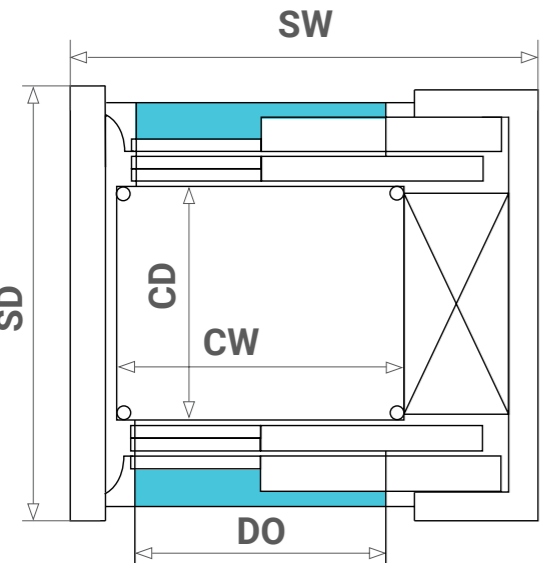
AU Shaft

The following specification details are for the Eltec Access within an AU Shaft. Sold separately, the AU shaft helps avoid shaft building errors and rectification work. The AU shaft is a self-supporting structure and doesn't require a structural wall, making it an exceptional option for both new builds and retrofits ([see website for more details](#)). Do not build to these specifications.



Single Entry Configuration (AU Shaft)

	SW	SD	CW	CD	DO
XL	1700	1830	1100	1400	900
XXL	1800	1880	1200	1450	900

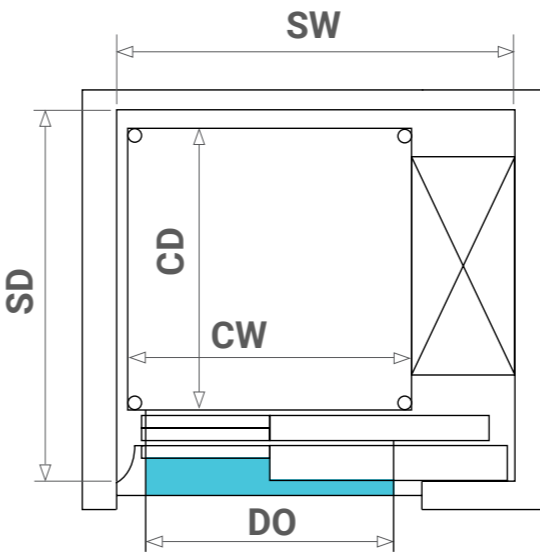


Through Car Configuration (AU Shaft)

	SW	SD	CW	CD	DO
XL	1720	2004	1100	1420	900
XXL	1820	2054	1200	1470	900

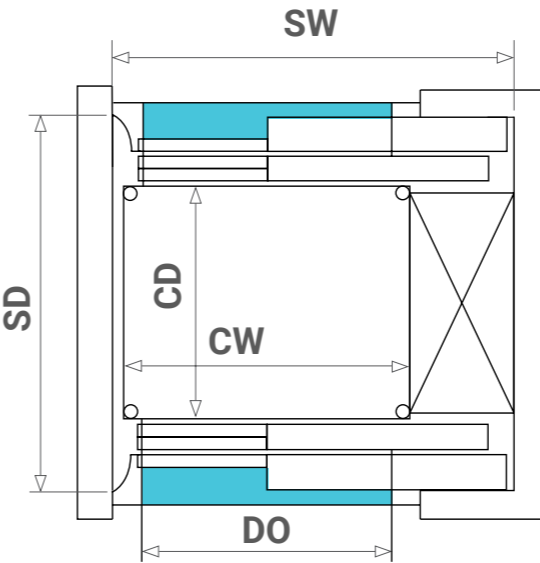
Masonry Shaft

The following specification details are for the Eltec Access within a masonry shaft. Next Level Elevators will provide specific plans per project. Do not build to these specifications.



Single Entry Configuration (Masonry Shaft)

	SW	SD	CW	CD	DO
XL	1550	1750	1100	1400	900
XXL	1650	1800	1200	1450	900



Through Car Configuration (Masonry Shaft)

	SW	SD	CW	CD	DO
XL	1550	1890	1100	1420	900
XXL	1650	1940	1200	1470	900



*Dispensation example



P R E M I U M

— SERVICE —

Melbourne Showroom

456 Smith Street
Collingwood VIC 3066

Sydney Showroom

19/19 McCauley Street
Matrville NSW 2036

Queensland

PO Box 6357
Meridan Plains QLD 4551