



**Next
Level**
ELEVATORS

ELTEC HLB



The Elevator Specialists

We're passionate about supplying Australians with the most beautiful and functional all-electric elevators. As innovators in this space for more than 10 years, we have exclusive access to the best electric lifts from our Italian manufacturer, Eltec. Our superior, more eco-friendly elevators are known for their reliability, and our range of residential products comes with an industry-leading 7-year warranty.[^]

Join us as we continue to redefine the elevator industry in Australia.



Latest Technology

Our industry-leading elevators are made with the latest cutting-edge technology.



Safety

Our elevators meet the strictest safety standards.



Environmental

Our range includes fully electric, eco-friendly, and cost-efficient elevators.



Experience

Our group has installed thousands of lifts across Australia.



Quick Installation

You can rely on our team for a quick and seamless installation process.



Full Service

From manufacturing, through to installation and ongoing maintenance, we provide a complete elevator service.

[^]Terms and Conditions Apply.

Eltec HLB

The Eltec HLB is our most popular elevator. Renowned for its adaptability, each element can be customised, and the cabin size scaled as required. The ingenious design eliminates the need for a motor room and the counterweight system makes it one of the most energy-efficient lifts available.



Electric Elevator / European A-Grade Energy Class



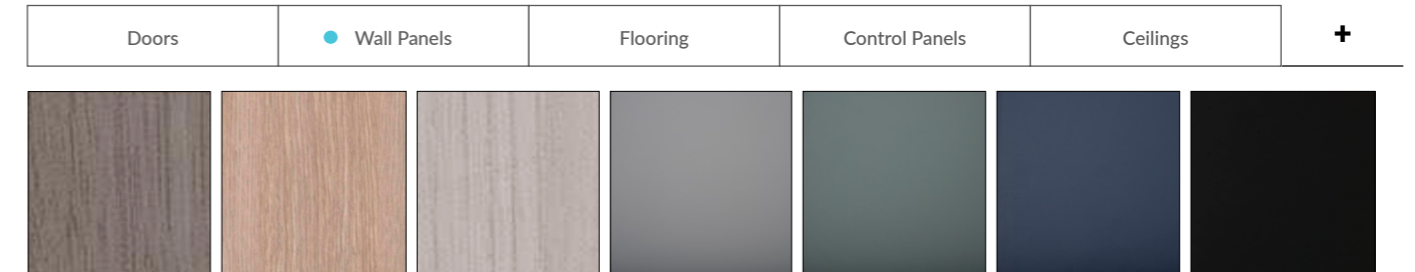
Completely customisable

Small to extra large cabin sizes

Exclusive auto/motorised door options

Customise Your Elevator

Create a truly unique elevator experience by choosing from an extensive range of doors, wall panels, flooring, control panels, ceilings and more.



General Specification Information

Regulations	Australian Design Registration
Drive System	VVVF all-electric traction system
Country of Origin	Manufactured in Italy
Capacity	250–400 kg (wheelchair capacity)
Maximum Travel	20 m
Number of Stops	10
Maximum Speed	0.3 m/s
Pit Depth	180 mm
Headroom	2550 mm
Motor Room	Motor and controller housed within shaft
Power	Single phase / 230 V 10 A



Doors

Premium door options available as either sliding or swing. Door finishes come in a range of contemporary metallics and powder-coated colours.

Types



Elettra
(2 glass doors)

Elsa
(1 glass door)

Big Vision
(sliding windows)

Full Glass
(sliding all-glass)

Steel Sliding



Steel Swing

Reverse
(1 glass door)

Wings

B-Wings

Popular Finishes



Stainless Steel SB

Stainless Steel
Lucido 7

OXNA Anodised

WH02 White

RAL 9005 Half
Sheen





Elsa



Big Vision





Steel Swing



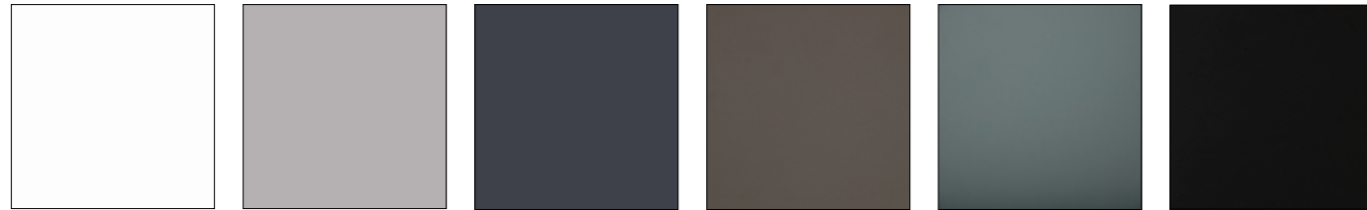
Reverse



Wall Panels

An array of beautiful cabin finishes ensure your elevator can be customised to match any interior style. Additional options available upon request.

Laminates



Bianco Porcellana (Fin. Sei) Grigio Scuro (Fin. Sei) Sherwood (Fin. Sei) Grigio Londra Verde Comodoro Nero Ingo

Wood Laminates



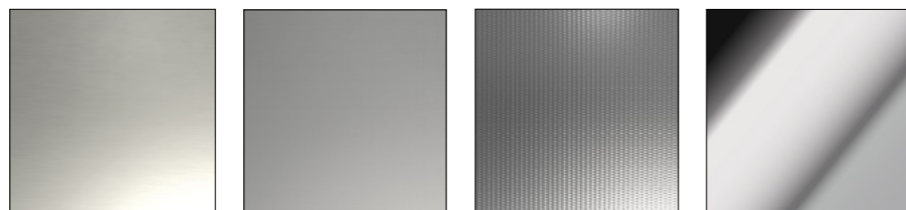
Montale Noli (Fin. Root) Urban Style (Fin. Climb) Aurora Norvegia (Fin. Root) Rovere Nazionale (Fin. Aquarama) Olmo Fine (Fin. Root) Rovere America (Fin. Holz)

Glass



Transparent Satin Milk White Stop Sol Super Silver Smoked Stop Sol Bronze

Stainless Steel



Stainless Steel SB Stainless Steel Lino Lucido Stainless Steel 2WL Lucido Stainless Steel Lucido 7

Mirror

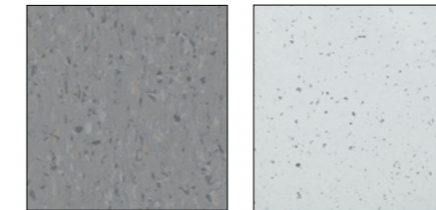


Silver Burnished

Flooring

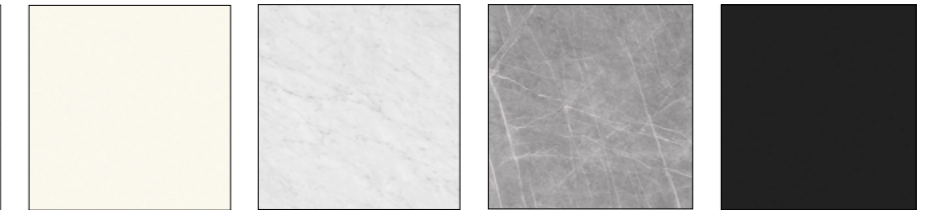
Select from a range of elegant flooring options that ascend in quality and prestige. Additional options available upon request.

PVC



Light Smoke Silex

Sintered Stone (Base)



Just White (Fin. Silk) Blanco Carrara (Fin. Silk) Zaha Stone (Fin. Silk) Nero (Fin. Satin)

Sintered Stone (Premium)



Estatuario (Fin. Polished) Calacatta Luxe (Fin. Polished) Colorado Dunes (Fin. Silk) Layla (Fin. Polished)



Control Panels

Choose from our range of sophisticated control panels, all of which come in a beautiful selection of metallic finishes.

Types



Standard



Full Height



Horizontal

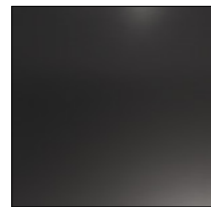


Venice Touch

Popular Finishes



OXNA Anodised



S9E Anodised



INOXS Anodised



S9LR Anodised

See the accessories section for the screen, button and emergency contact options available with each control panel.

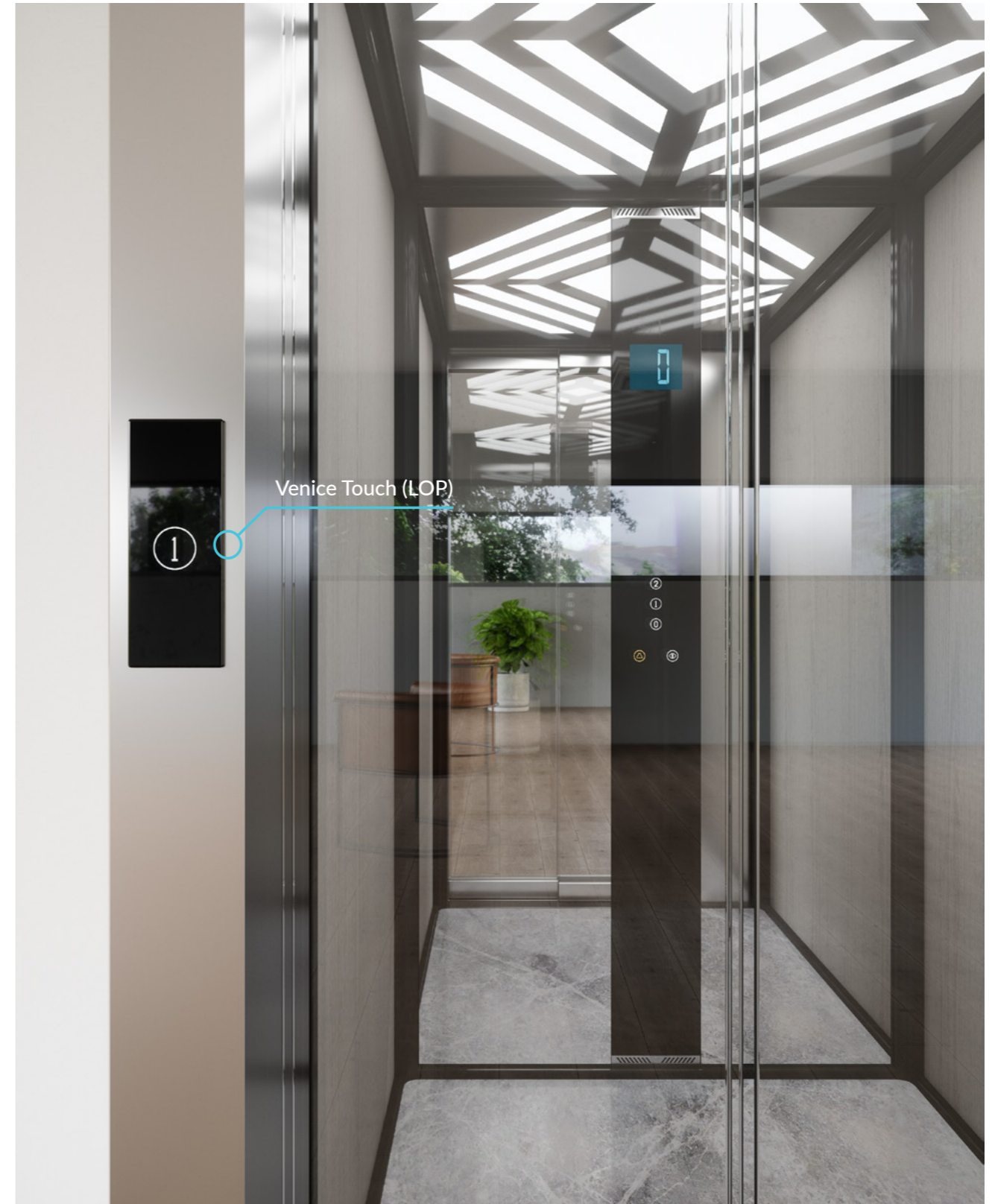


Standard





Venice Touch (COP)



Venice Touch (LOP)

Ceiling

Select from a range of downlight options, from classic through to eye-catching statement pieces.

Types



Popular Finishes



Stainless Steel SB



Stainless Steel
Lucido 7

Accessories

Apply the finishing touches to your elevator and select from a range of additional accessories.

Display



Tricolor Blue



IRIS 7 TFT

Emergency Contact



Intercom

Handset

Keys



Key Vega



I Button

Buttons



Round Buttons
(Venus)



Square Buttons
(Giunone)

Mirrors



Square
700 x 900 mm



Rectangle
500 x 1600 mm

Handrails



Standard Handrail
25 mm



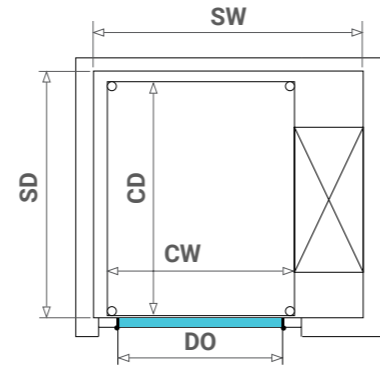
Standard Handrail
32 mm



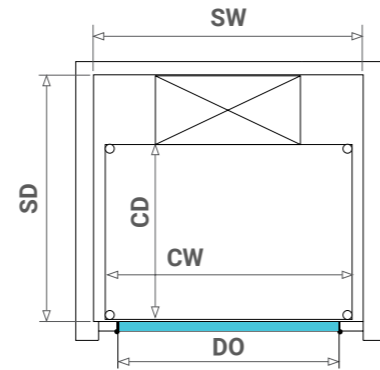
Swing Door (MS)

The following specification details are for the Eltec HLB with a swing-door configuration in a masonry shaft (MS). Specific plans will be provided per project; please do not build to the following specifications.

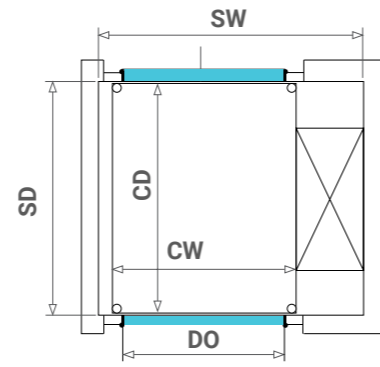
	SW	SD	CW	CD	DO	KG
XXS	1100	1010	720	900	650	250
XS	1200	1310	820	1200	750	250
S	1250	1310	870	1200	800	300
M	1350	1310	970	1200	900	300
L	1400	1410	1020	1300	950	350
XL	1480	1510	1100	1400	900	385
XXL	1580	1510	1200	1400	900	400



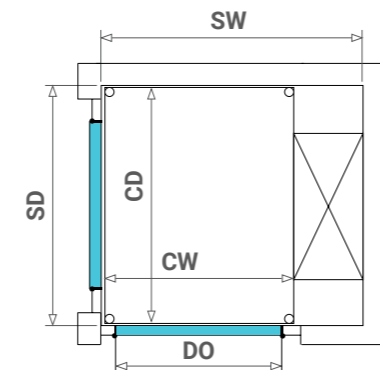
	SW	SD	CW	CD	DO	KG
XXS	880	1240	720	900	650	250
XS	980	1540	820	1200	750	250
S	1030	1540	870	1200	800	300
M	1130	1540	970	1200	900	300
L	1180	1590	1020	1250	950	330
XL	1260	1640	1100	1300	900	385
XXL	1360	1640	1200	1300	900	400



	SW	SD	CW	CD	DO	KG
XXS	1100	990	720	900	650	250
XS	1200	1290	820	1200	750	300
S	1250	1290	870	1200	800	300
M	1350	1290	970	1200	900	330
L	1400	1390	1020	1300	950	350
XL	1480	1490	1100	1400	900	385
XXL	1580	1590	1200	1500	900	400



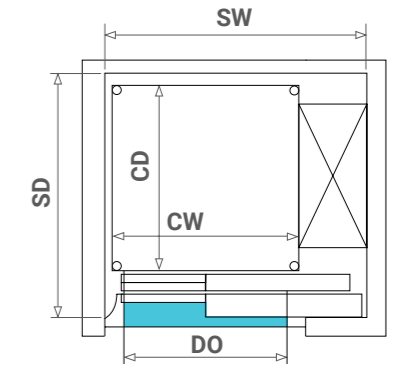
	SW	SD	CW	CD	DO	KG
XXS	1090	870	730	750	650	250
XS	1090	970	730	850	650+	250
S	1190	970	830	850	750	250
M	1240	1020	880	900	800	250
L	1560	1320	1200	1200	750	385
XL	1510	1420	1150	1300	800	385
XXL	1610	1520	1250	1400	900	400



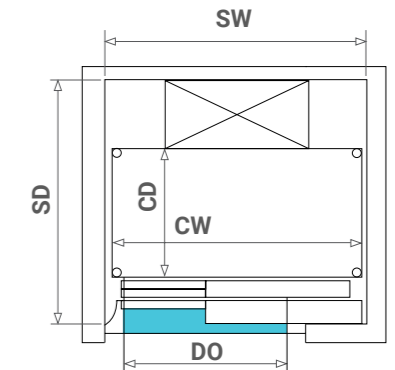
Sliding Door (MS)

The following specification details are for the Eltec HLB with a sliding-door configuration in a masonry shaft (MS). Specific plans will be provided per project; please do not build to the following specifications.

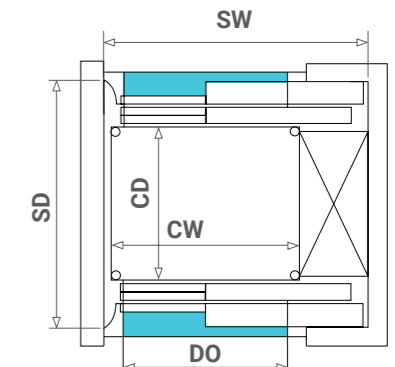
	SW	SD	CW	CD	DO	KG
XXS	1150	1210	770	900	650	250
XS	1220	1510	820	1200	700	250
S	1300	1510	870	1200	750	300
M	1380	1510	970	1200	800	300
L	1450	1610	1020	1300	850	350
XL	1530	1710	1100	1400	900	385
XXL	1580	1760	1200	1450	900	400



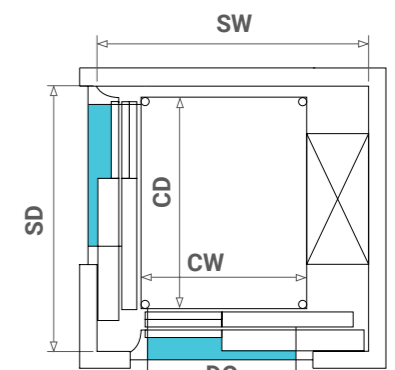
	SW	SD	CW	CD	DO	KG
XXS	1080	1440	820	900	600	250
XS	1080	1740	820	1200	600	250
S	1150	1740	870	1200	650	300
M	1220	1740	970	1200	700	300
L	1300	1790	1020	1250	750	330
XL	1380	1840	1100	1300	800	385
XXL	1520	1840	1200	1300	900	400



	SW	SD	CW	CD	DO	KG
XXS	1150	1380	770	900	650	250
XS	1220	1680	820	1200	700	250
S	1300	1680	870	1200	750	300
M	1370	1680	970	1200	800	300
L	1450	1780	1020	1300	850	350
XL	1520	1880	1100	1400	900	385
XXL	1580	1980	1200	1500	900	400



	SW	SD	CW	CD	DO	KG
XXS	1340	1320	780	1000	650	250
XS	1410	1520	830	1200	700	250
S	1480	1520	880	1200	750	300
M	1560	1520	980	1200	800	300
L	1630	1620	1030	1300	850	350
XL	1710	1720	1100	1400	900	385
XXL	1760	1620	1200	1300	900	400



MADE IN ITALY



BIMcontent.com
Partner

This product is available
on bimcontent.com

Melbourne Showroom

456 Smith Street
Collingwood VIC 3066

Sydney Showroom

647 Botany Road
Rosebery NSW 2018

Queensland

PO Box 6347
Meridan Plains QLD 4551