

ELTEC HLB

# The Elevator Specialists

We're passionate about supplying Australians with the most beautiful and functional all-electric elevators. As innovators in this space for more than 10 years, we have exclusive access to the best electric lifts from our Italian manufacturer, Eltec. Our superior, more eco-friendly elevators are known for their reliability, and our range of residential products comes with an industry-leading 7-year warranty.<sup>^</sup>

Join us as we continue to redefine the elevator industry in Australia.



## Latest Technology

Our industry-leading elevators are made with the latest cutting-edge technology.



## Safety

Our elevators meet the strictest safety standards.



## Environmental

Our range includes fully electric, eco-friendly, and cost-efficient elevators.



## Experience

Our group has installed thousands of lifts across Australia.



## Quick Installation

You can rely on our team for a quick and seamless installation process.



## Full Service

From manufacturing, to installation and ongoing maintenance, we provide a complete elevator service.

# Eltec HLB

The Eltec HLB is our most popular elevator. This luxurious product is known for its adaptability; each element of the elevator can be customised, and the cabin size scaled as required. Choose between our brilliant geared or gearless motor options.

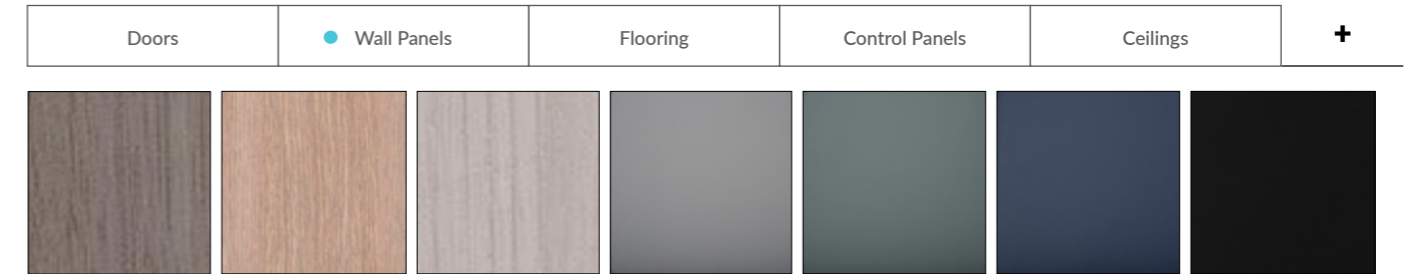


Electric Elevator / European A-Grade Energy Class



## Customise Your Elevator

Create a truly unique elevator experience by choosing from an extensive range of doors, wall panels, flooring, control panels, ceilings and more.



### General Specification Information

<b>Regulations</b>	Australian Design Registration
<b>Drive System</b>	Electric traction
<b>Country of Origin</b>	Manufactured in Italy
<b>Capacity</b>	250–450 kg (wheelchair capacity)
<b>Maximum Travel</b>	20 m
<b>Number of Stops</b>	10
<b>Maximum Speed</b>	0.25–0.3 m/s
<b>Pit Depth</b>	180 mm
<b>Headroom</b>	2550 mm (2620 mm with gearless motor option)
<b>Motor Room</b>	Motor and controller housed within shaft*
<b>Power</b>	Single phase / 230 V 10 A







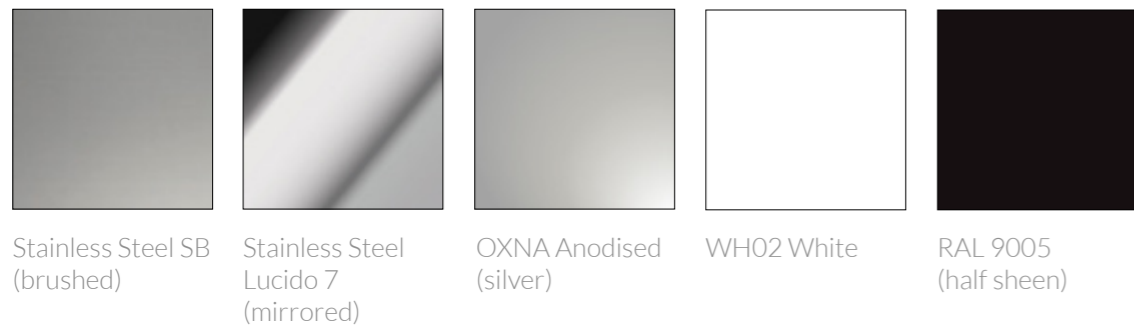
# Doors

Premium door options are available as either sliding or swing. Door finishes come in a range of contemporary metallics and powder-coated colours.

## Types



## Popular Finishes







Steel Swing



Elsa











Elettra



Steel Sliding





Big Vision



Full Glass

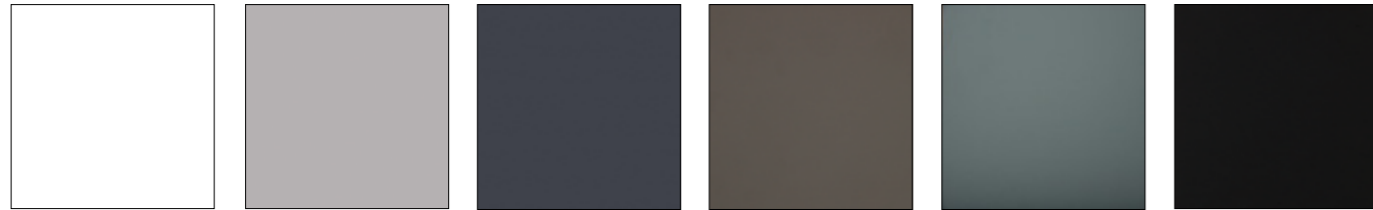




# Wall Panels

An array of beautiful cabin finishes ensures your elevator can be customised to match any interior style. See the full range online or in our selection catalogue.

## Laminates



Bianco Porcellana (Fin. Sei)    Grigio Scuro (Fin. Sei)    Sherwood (Fin. Sei)    Grigio Londra    Verde Comodoro    Nero Ingo

## Wood Laminates



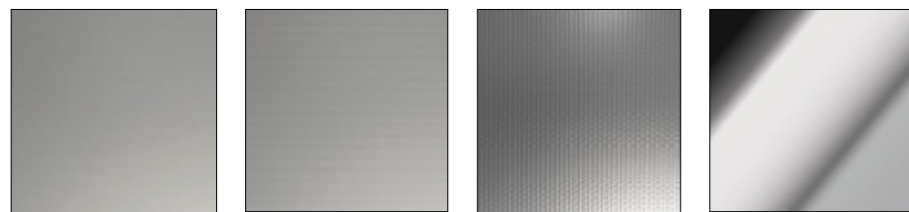
Montale Noli (Fin. Root)    Urban Style (Fin. Climb)    Aurora Norvegia (Fin. Root)    Rovere Nazionale (Fin. Aquarama)    Olmo Fine (Fin. Root)    Rovere America (Fin. Holz)

## Glass



Transparent    Satin    Milk White    Stop Sol Super Silver    Smoked    Stop Sol Bronze

## Stainless Steel



Stainless Steel SB (brushed)    Stainless Steel Lino Lucido    Stainless Steel 2WL Lucido    Stainless Steel Lucido 7 (mirrored)

## Mirror

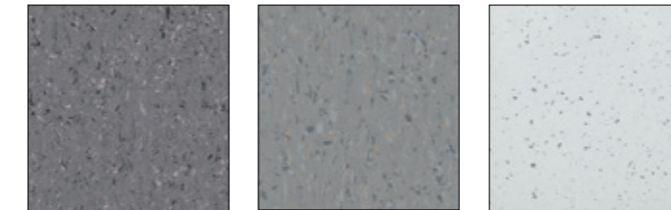


Silver    Burnished

# Flooring

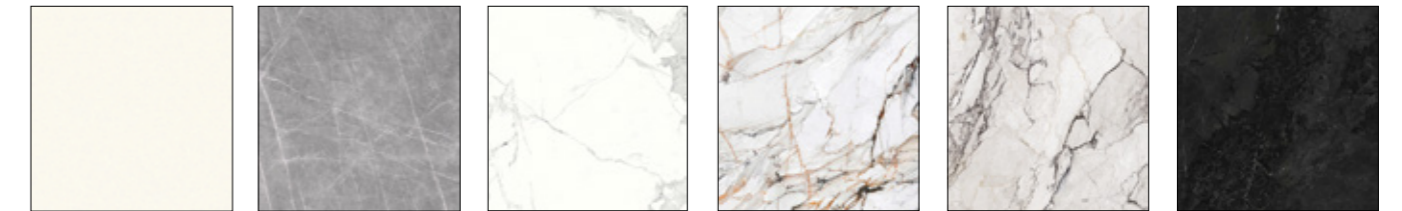
Select from a range of elegant flooring options that ascend in quality and prestige. See the full range online or in our selection catalogue.

## PVC



Smart Grey    Light Smoke    Silex

## Sintered Stone



Just White (Fin. Silk)    Zaha Stone (Fin. Silk)    Estatuario (Fin. Polished)    Calacatta Luxe (Fin. Polished)    Colorado Dunes (Fin. Silk)    Layla (Fin. Polished)





# Control Panels

Choose from our range of sophisticated control panels, all of which come in a beautiful selection of metallic finishes.

## Types



Standard



Full Height

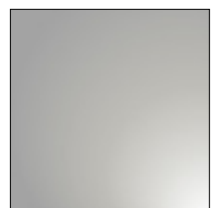


Horizontal



Venice Touch

## Popular Finishes



OXNA Anodised  
(silver)



S9E Anodised



INOXS Anodised



S9LR Anodised

See online or the selection catalogue for the full range of screens, buttons and emergency contact options available with each control panel.



Standard

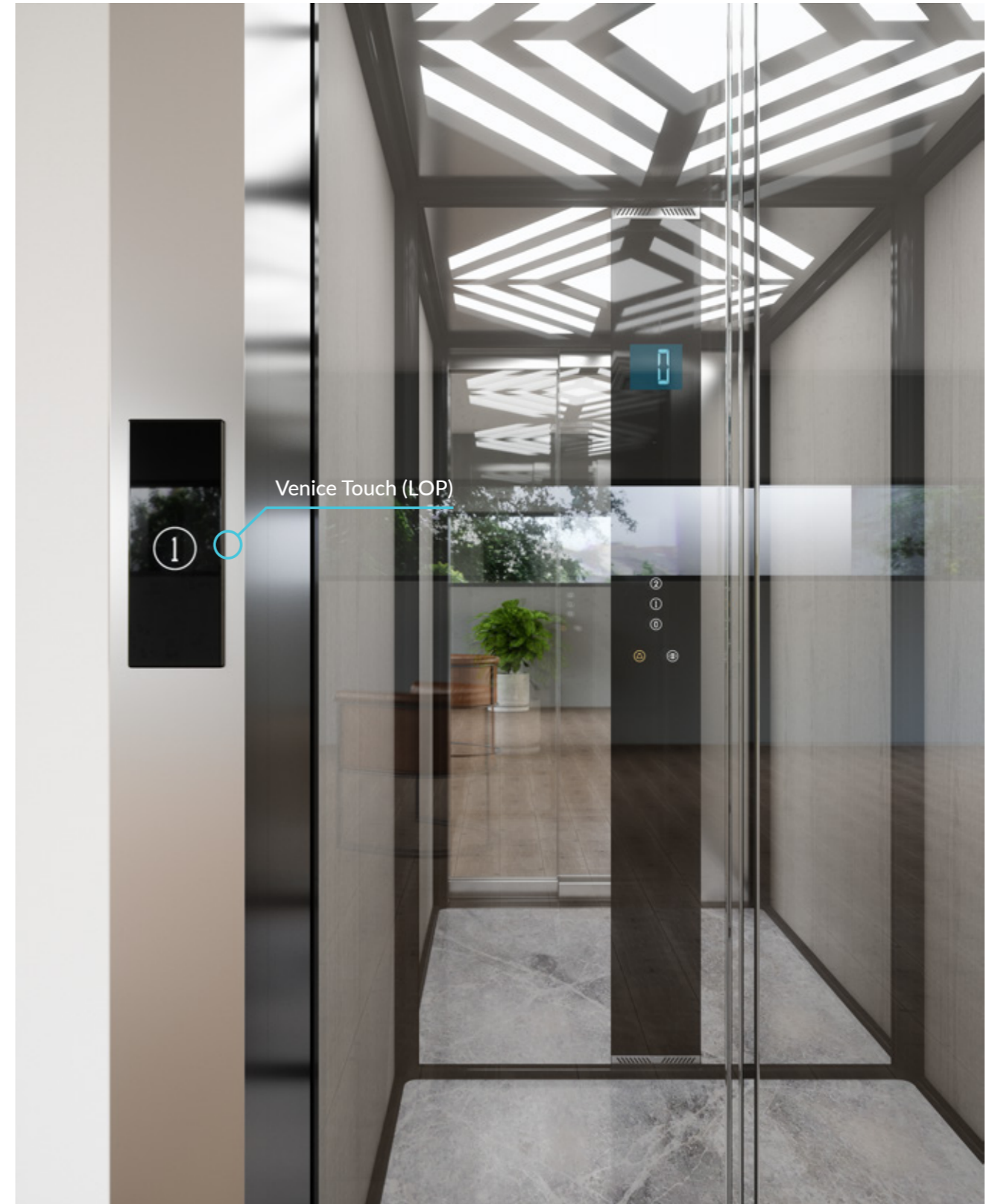








Venice Touch (COP)



Venice Touch (LOP)



# Ceiling

Select from a range of downlight options, from classic to eye-catching statement pieces.

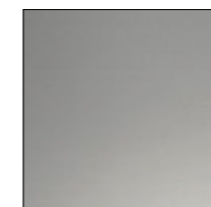
---

## Types



---

## Popular Finishes



Stainless Steel SB  
(brushed)



Stainless Steel  
Lucido 7  
(mirrored)



# Accessories

Apply the finishing touches to your elevator by selecting from a range of additional accessories. See the full range online or in our selection catalogue.

## Display



Tricolor Blue with flush mounting



IRIS 7 TFT

## Emergency Contact



Autodialler

Handset

## Keys



Key Vega



I Button (Swipe tag access)

## Buttons



Round Buttons (Venus)



Square Buttons (Giunone)

## Mirrors



Square 700 x 900 mm



Rectangle 500 x 1600 mm

## Handrails



Standard Handrail 25 mm



Standard Handrail 32 mm

# Structures

The Eltec HLB can be easily paired with our innovative AU Shaft or iconic TA Shaft. These structures are a brilliant alternative to masonry shafts and help avoid major structural works and costly shaft-building errors.

## Elevator Shafts



AU Shaft

A cost-effective elevator shaft specifically designed for the Australian market. This aluminium structure can be adjusted to size and easily clad by builders.



TA Shaft

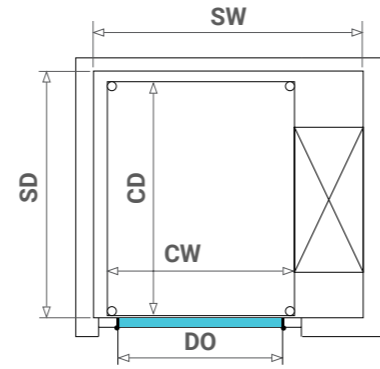
Our iconic glass elevator shaft, which can be customised in various colour options, including the glass panels.



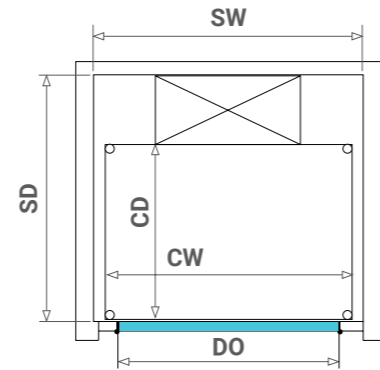
# Swing Door (MS)

The following specification details are for the Eltec HLB with a swing door configuration in a masonry shaft (MS). Specific plans will be provided per project; please do not build to the following specifications.

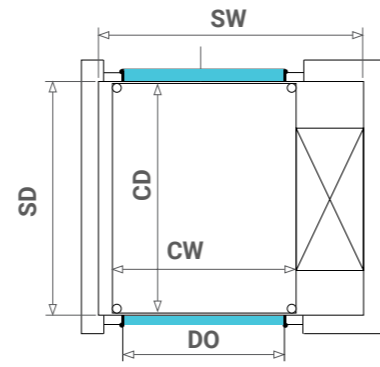
	SW	SD	CW	CD	DO	KG
XXS	1100	1010	720	900	650	250
XS	1200	1310	820	1200	750	250
S	1250	1310	870	1200	800	300
M	1350	1310	970	1200	900	300
L	1400	1410	1020	1300	950	350
XL	1480	1510	1100	1400	900	385
XXL	1580	1510	1200	1400	900	400



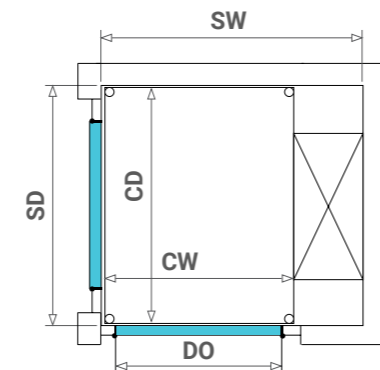
	SW	SD	CW	CD	DO	KG
XXS	880	1240	720	900	650	250
XS	980	1540	820	1200	750	250
S	1030	1540	870	1200	800	300
M	1130	1540	970	1200	900	300
L	1180	1590	1020	1250	950	330
XL	1260	1640	1100	1300	900	385
XXL	1360	1640	1200	1300	900	400



	SW	SD	CW	CD	DO	KG
XXS	1100	990	720	900	650	250
XS	1200	1290	820	1200	750	300
S	1250	1290	870	1200	800	300
M	1350	1290	970	1200	900	330
L	1400	1390	1020	1300	950	350
XL	1480	1490	1100	1400	900	385
XXL	1580	1590	1200	1500	900	400



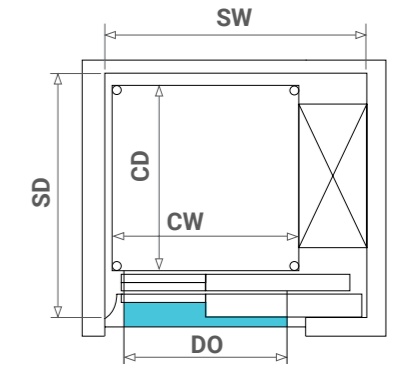
	SW	SD	CW	CD	DO	KG
XXS	1090	870	730	750	650	250
XS	1090	970	730	850	650+	250
S	1190	970	830	850	750	250
M	1240	1020	880	900	800	250
L	1560	1320	1200	1200	750	385
XL	1510	1420	1150	1300	800	385
XXL	1610	1520	1250	1400	900	400



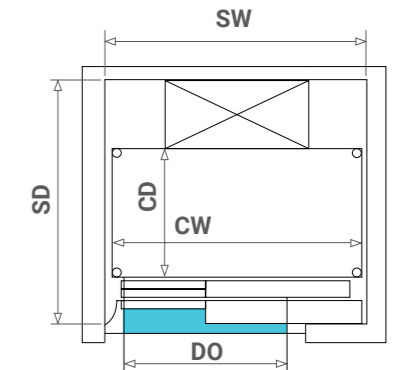
# Sliding Door (MS)

The following specification details are for the Eltec HLB with a sliding door configuration in a masonry shaft (MS). Specific plans will be provided per project; please do not build to the following specifications.

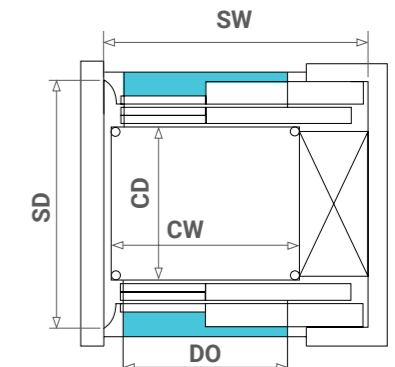
	SW	SD	CW	CD	DO	KG
XXS	1150	1210	770	900	650	250
XS	1220	1510	820	1200	700	250
S	1300	1510	870	1200	750	300
M	1380	1510	970	1200	800	300
L	1450	1610	1020	1300	850	350
XL	1530	1710	1100	1400	900	385
XXL	1580	1760	1200	1450	900	400



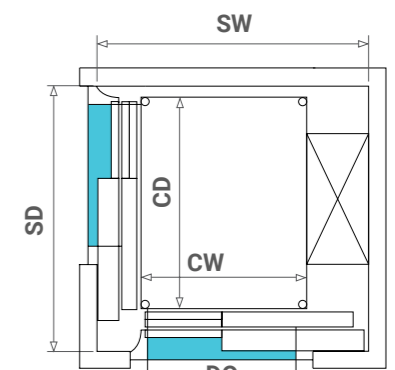
	SW	SD	CW	CD	DO	KG
XXS	1080	1440	820	900	600	250
XS	1080	1740	820	1200	600	250
S	1150	1740	870	1200	650	300
M	1220	1740	970	1200	700	300
L	1300	1790	1020	1250	750	330
XL	1380	1840	1100	1300	800	385
XXL	1520	1840	1200	1300	900	400



	SW	SD	CW	CD	DO	KG
XXS	1150	1380	770	900	650	250
XS	1220	1680	820	1200	700	250
S	1300	1680	870	1200	750	300
M	1370	1680	970	1200	800	300
L	1450	1780	1020	1300	850	350
XL	1520	1880	1100	1400	900	385
XXL	1580	1980	1200	1500	900	400



	SW	SD	CW	CD	DO	KG
XXS	1340	1320	780	1000	650	250
XS	1410	1520	830	1200	700	250
S	1480	1520	880	1200	750	300
M	1560	1520	980	1200	800	300
L	1630	1620	1030	1300	850	350
XL	1710	1720	1100	1400	900	385
XXL	1760	1620	1200	1300	900	400





MADE IN ITALY



**BIMcontent.com**  
Partner

This product is available  
on [bimcontent.com](https://bimcontent.com)

**Melbourne Showroom**

456 Smith Street  
Collingwood VIC 3066

**Sydney Showroom**

647 Botany Road  
Rosebery NSW 2018

**Queensland**

PO Box 6347  
MeridanPlains QLD 4551

V1 Feb 2025